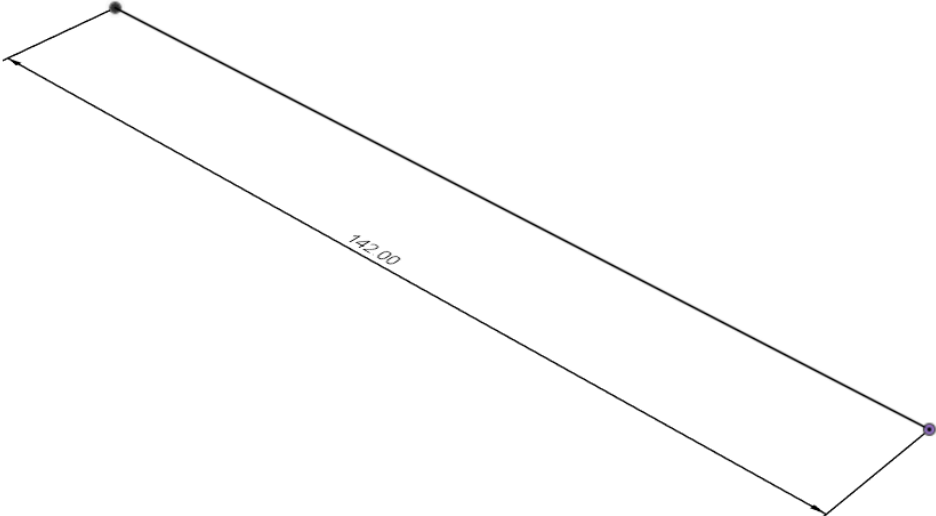


Required Tools: Rebar, 300 ft tape measure, 100 ft Tape measure, hammer, a buddy

Step 1:

Pound a rebar or place holder for your origin, or 0,0 mark.

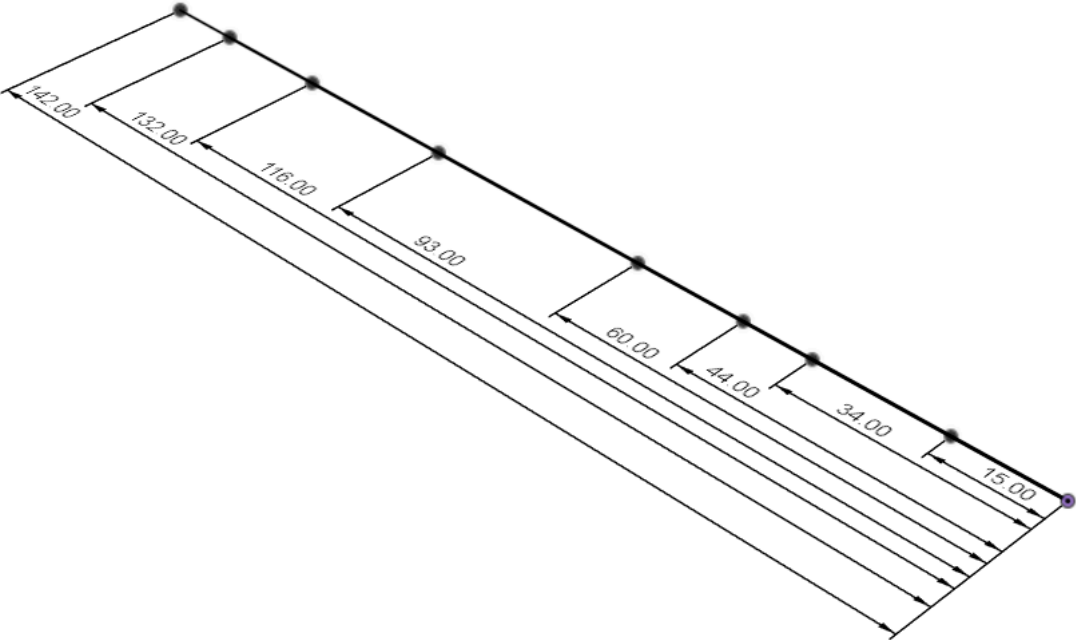
Extend the tape measure as straight as you can for 142 feet and lay on the ground.



Step 2

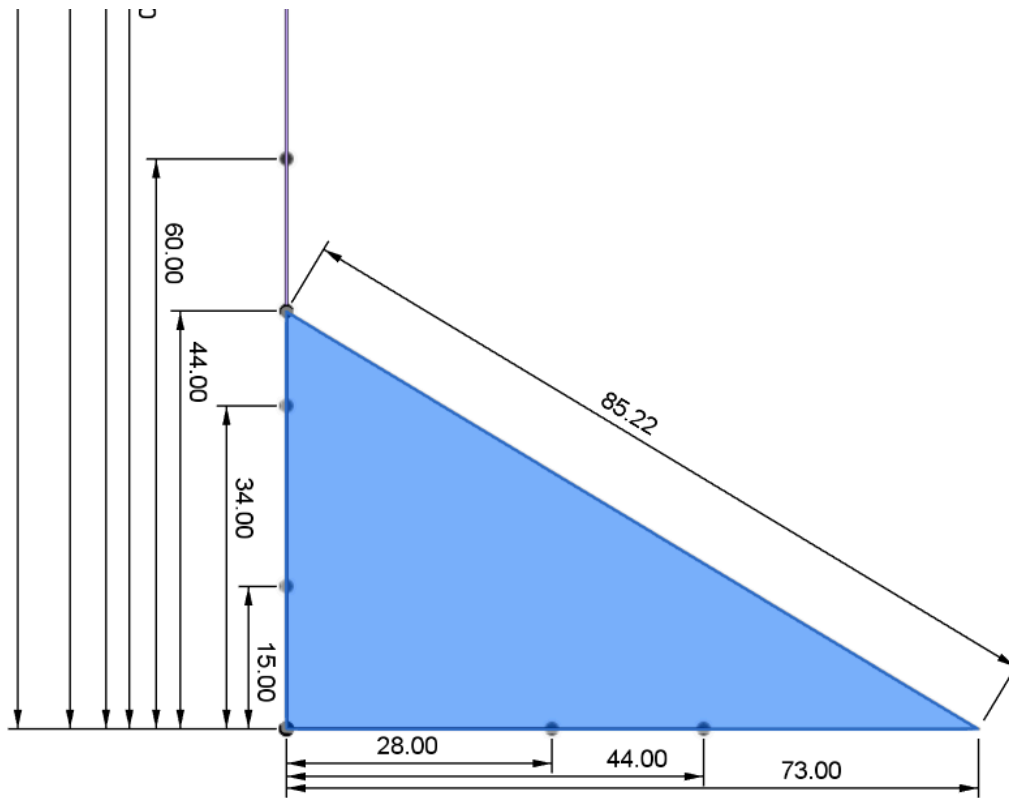
Place a marker at the following locations along this tape measure.

15, 34, 44, 60, 93, 116, 132.

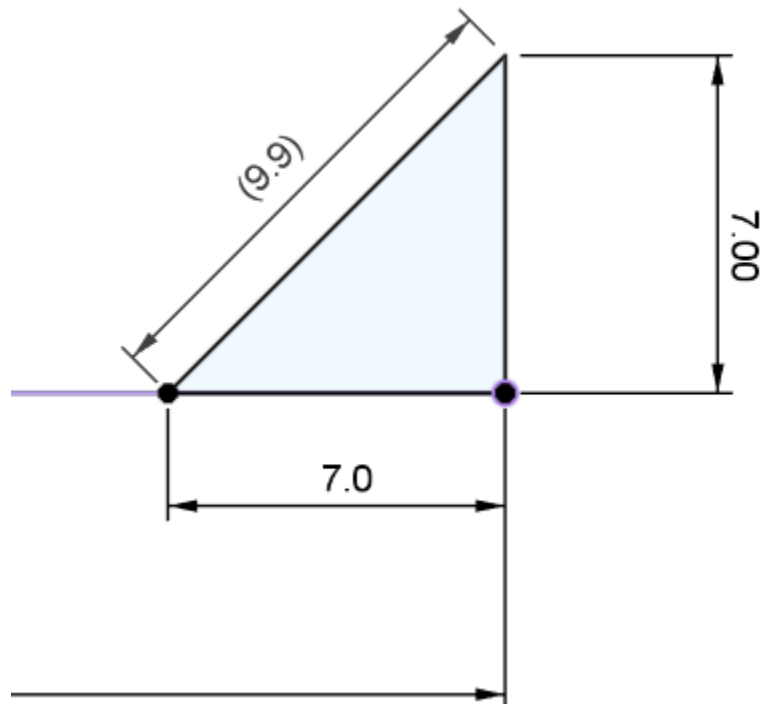


Step 3

Go to the 44 foot mark and extend the tape measure out 85.2 feet. Extend another tape measure from the origin 73 Feet. Pound a rebar for a gate. Also place markers at 28 feet and 44 feet.

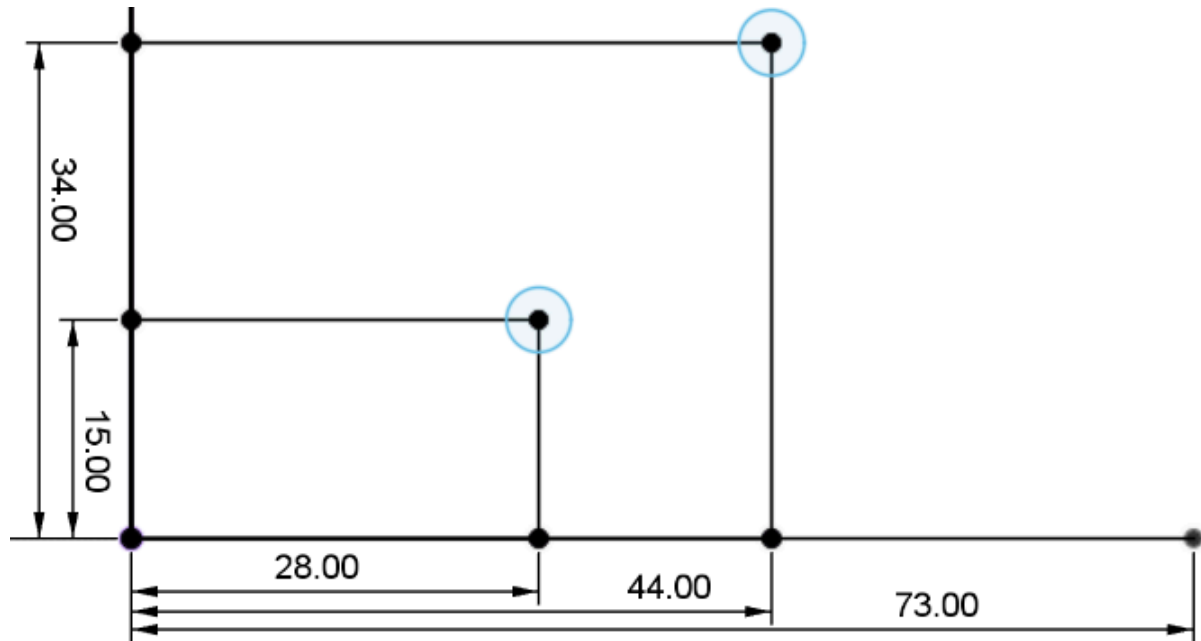


To square this gate we are going to make a quick little right triangle. At the 73 foot mark go up 7 feet for the width of the gate. Then from (73-7) 66ft mark on the tape, go 9.9ft to meet the 7 foot tape. Where the 9.9ft meets the 7ft tape pound another gate rebar. This gate is now square, hopefully.



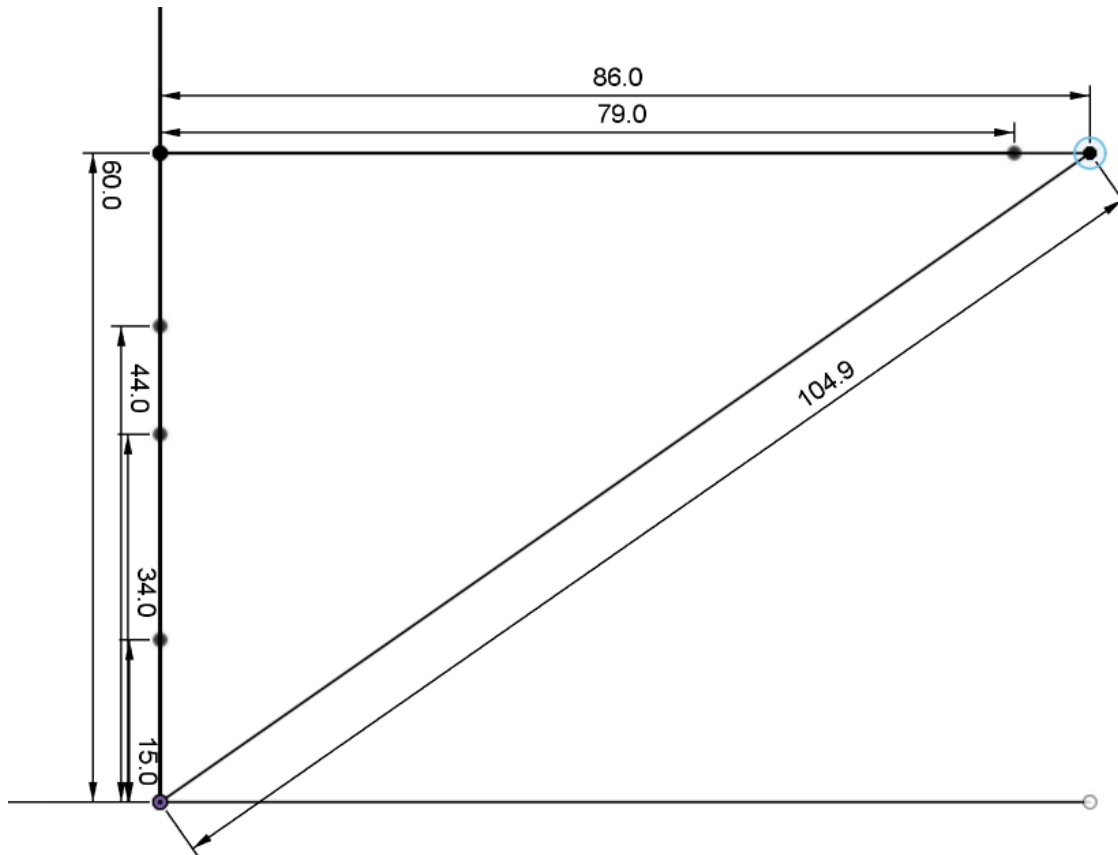
Step 4

Here you are going to place the 2 flags before the finish. Take one tape measure to the 28ft mark on the ground and go up 15ft. Then take another tape measure from the 15 mark on the perpendicular tape and go out to meet 28 feet. Repeat this for the second flag on the 44 mark. From the 44 mark go up 34 feet, then from the 34 mark go out 44 feet. Place 2 flag holders.



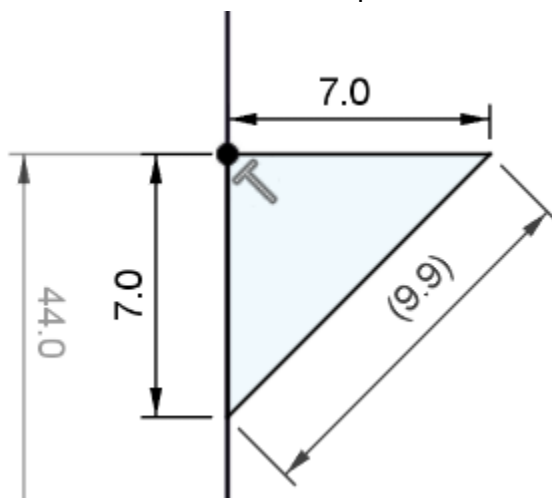
Step 5

Go to the 60 foot mark, extend a measure 86 feet across the field. Take another tape measure and start from the origin and walk toward the 86 foot tape measure for 104.9 feet. Place a rebar for a gate where you get these two tapes to touch, and on the 79 foot mark for the gate legs.



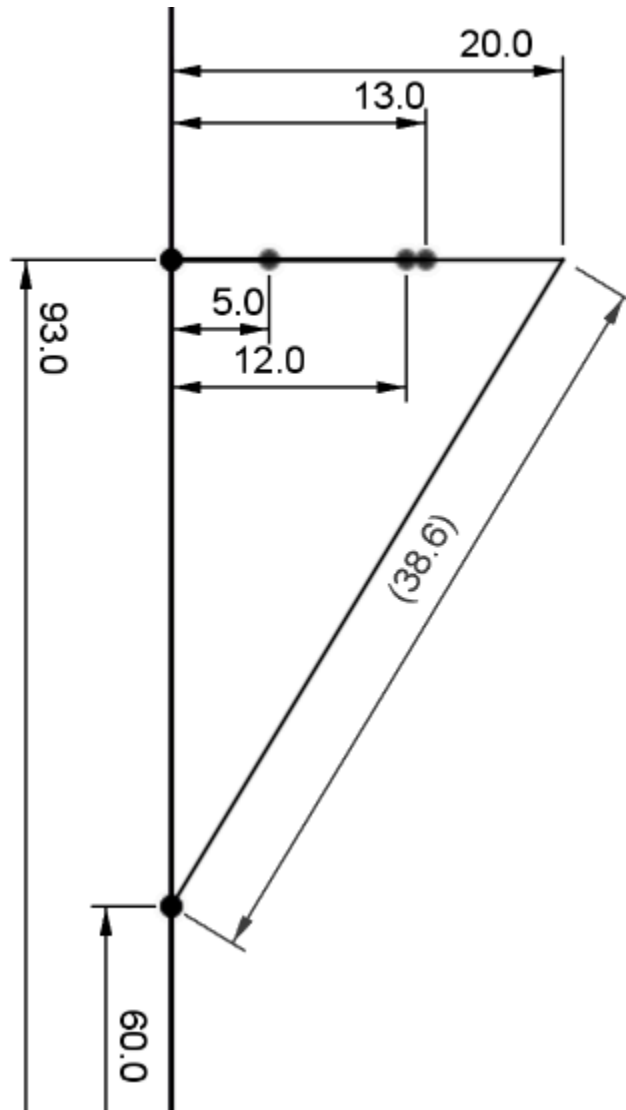
Step 6 Start Finish

Pound a rebar in at the 44 foot mark. Then make another simple right triangle and where the tapes meet pound your other leg. To do this walk out from the 44ft mark 7 ft. Then from (44-7) 36ft walk out 9.9 ft. Where these 2 tapes meet is the other leg of the gate.

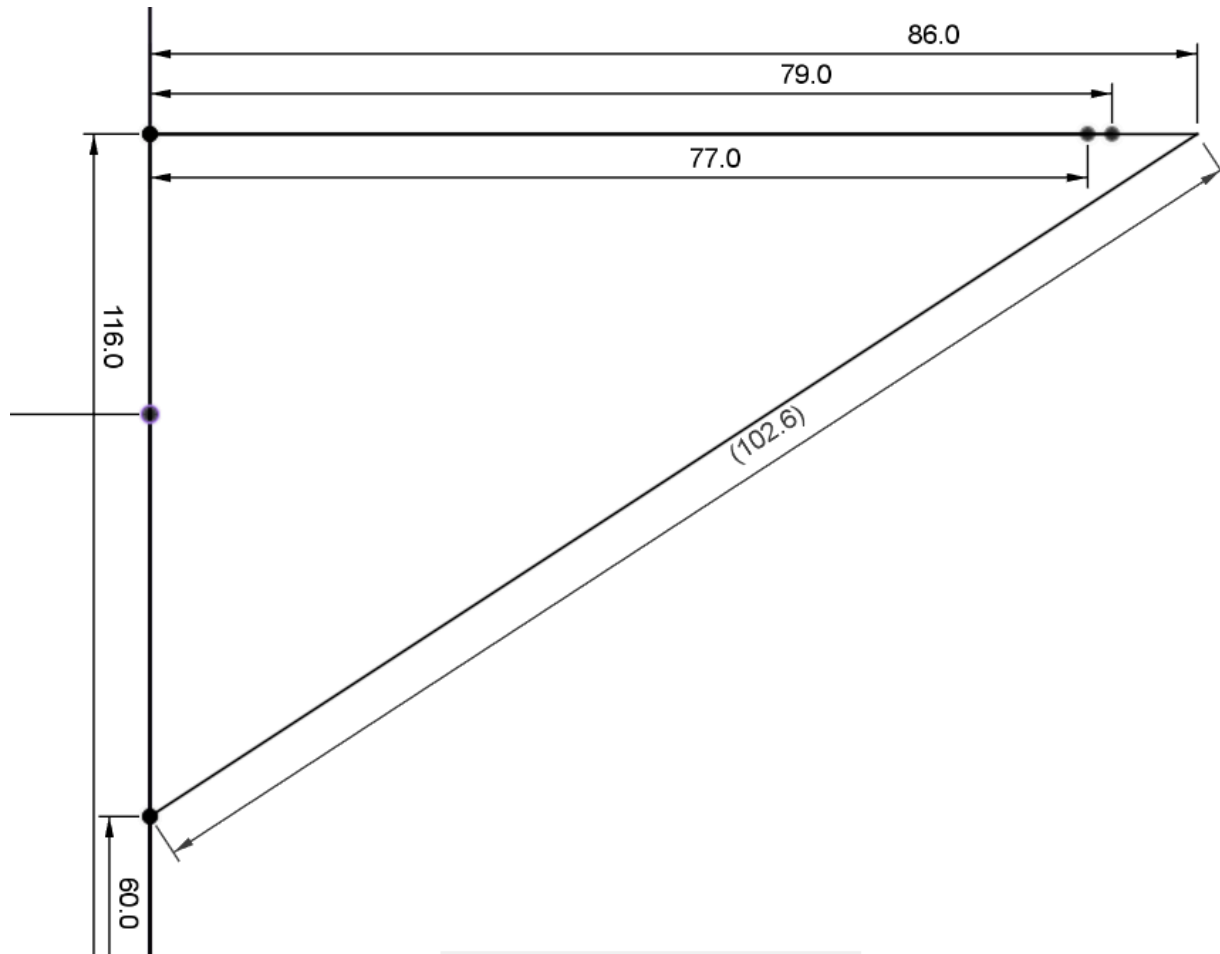


Step 7

Anchor the tape on the 60 foot mark and walk out 38.6 feet. From the 93 marker walk out 20 feet. Where these 2 meet, pound a gate rebar. Now on the 20 tape, pound a rebar at 5, 12, and 13 for the 2 gates.

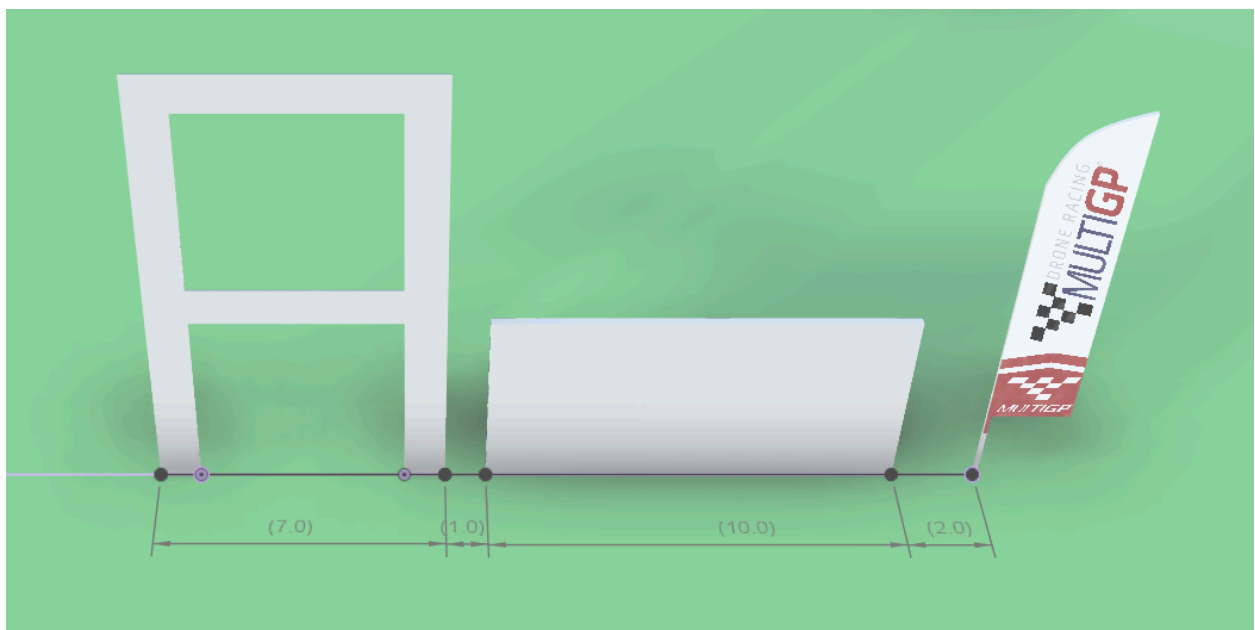
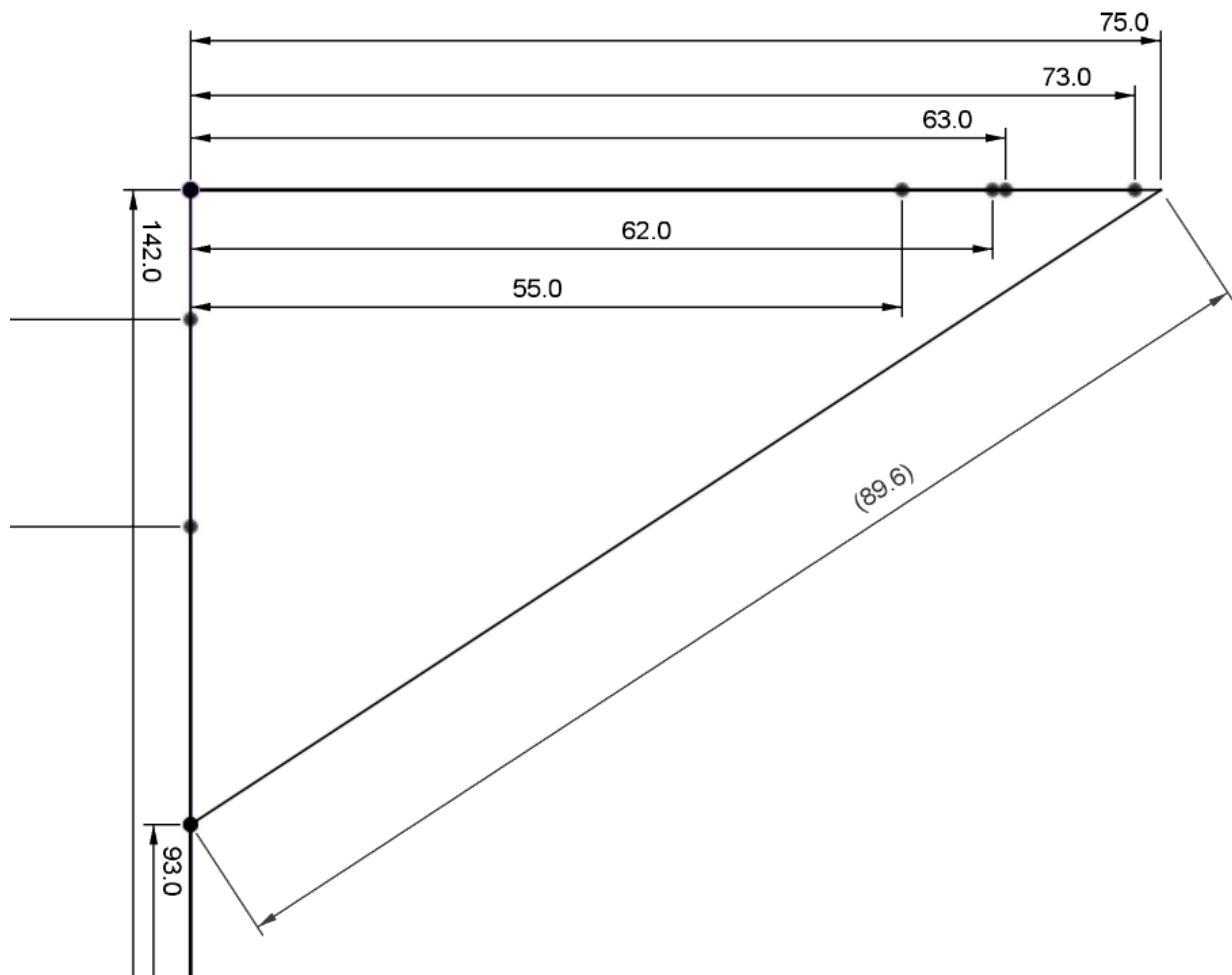


Now go back to the 60 foot marker and walk out 102.6 feet. From the 116 foot marker walk out 86 feet. Where these two tapes meet pound a gate rebar. Also pound a gate rebar at 79 feet. At the 77 foot mark, pound a flag stake. **This MUST be a stand alone flag, not on a flag on a gate!**



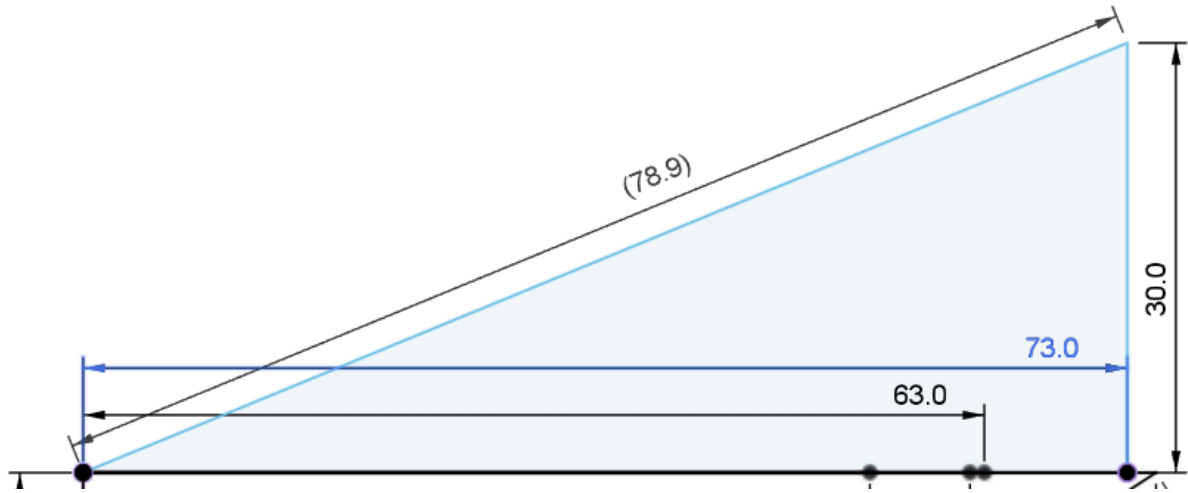
Step 8

Go to the 93 foot mark. Walk out 89.6 feet. Take another tape from 142 foot marker and walk out 75 feet. Pound a flag stake where the 2 tapes meet. **This is a flag and must be a stand alone flag, not on the hurdle.** On this line place rebar for the hurdle rebar at 63ft and 73ft. Then place rebar for the double gate at 55 and 62 feet.



This flag MUST be a standalone flag.

From the 73 foot mark at the end of the hurdle, walk up 30 ft. With another tape measure walk from the 142 mark out 78.9 feet. This is the right leg of the single gate. Place gate rebar.



Step 9

This is another small right triangle to get the gate square. Go to the 132 foot marker. Walk out 10 feet. Then from (132-7.5) 124.5 walk towards the other tape 12.5 feet. Where these meet pound a gate rebar. Then pound another at 3 feet on that line for the other leg.

